

Pb Free Plating Product

55NF06



N-CHANNEL POWER MOSFET TRANSISTOR

50 AMPERE 60 VOLT N-CHANNEL POWER MOSFET

DESCRIPTION

ThinkiSemi **50N06** is three-terminal silicon device with current conduction capability of about 50A, fast switching speed. Low on-state resistance, breakdown voltage rating of 60V, and max threshold voltages of 4 volt.

It is mainly suitable electronic ballast, and low power switching mode power appliances.

FEATURES

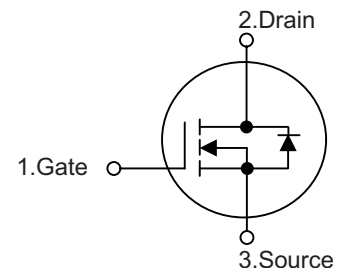
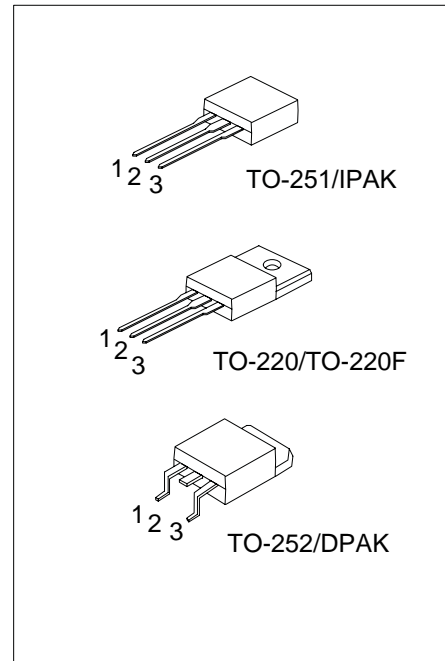
- * $R_{DS(ON)} = 23m\Omega @ V_{GS} = 10V$
- * Ultra low gate charge (typical 30 nC)
- * Low reverse transfer capacitance ($C_{RSS} =$ typical 80 pF)
- * Fast switching capability
- * 100% avalanche energy specified
- * Improved dv/dt capability

SYMBOL

U55NF06 TO-251/IPAK
P55NF06 TO-220
F55NF06 TO-220F
D55NF06 TO-252/DPAK

APPLICATION

Autotmobile Convert System
Networking DC-DC Power System
Power Supply etc..



ABSOLUTE MAXIMUM RATINGS

PARAMETER	SYMBOL	RATINGS	UNIT
Drain-Source Voltage	V_{DSS}	60	V
Gate-Source Voltage	V_{GSS}	± 20	V
Continuous Drain Current	I_D	$T_C = 25^\circ C$	50
		$T_C = 100^\circ C$	35
Pulsed Drain Current (Note 2)	I_{DM}	200	A
Avalanche Energy	Single Pulsed (Note 3)	E_{AS}	480
	Repetitive (Note 2)	E_{AR}	13
Peak Diode Recovery dv/dt (Note 4)	dv/dt	7	V/ns
Power Dissipation ($T_C=25^\circ C$)	TO-220	P_D	120
	TO-251		90
	TO-252		136
Junction Temperature	T_J	+150	$^\circ C$
Operation and Storage Temperature	T_{STG}	-55 ~ +150	$^\circ C$

Notes: 1. Absolute maximum ratings are those values beyond which the device could be permanently damaged.

Absolute maximum ratings are stress ratings only and functional device operation is not implied.

2. Repetitive Rating: Pulse width limited by T_J

3. $L=0.38mH$, $I_{AS}=50A$, $V_{DD}=25V$, $R_G=20\Omega$, Starting $T_J=25^\circ C$

4. $I_{SD} \leq 50A$, $di/dt \leq 300A/\mu s$, $V_{DD} \leq BV_{DSS}$, Starting $T_J=25^\circ C$

■ THERMAL DATA

PARAMETER		SYMBOL	RATING	UNIT
Junction to Ambient	TO-220	θ_{JA}	62	°C/W
	TO-251		62	°C/W
	TO-252		100	°C/W
Junction to Case	TO-220	θ_{JC}	1.24	°C/W
	TO-251		1.28	°C/W
	TO-252		1.1	°C/W

■ ELECTRICAL CHARACTERISTICS ($T_C = 25^\circ\text{C}$, unless otherwise specified)

PARAMETER	SYMBOL	TEST CONDITIONS	MIN	TYP	MAX	UNIT
OFF CHARACTERISTICS						
Drain-Source Breakdown Voltage	BV_{DSS}	$V_{GS} = 0\text{ V}, I_D = 250\ \mu\text{A}$	60			V
Drain-Source Leakage Current	I_{DSS}	$V_{DS} = 60\text{ V}, V_{GS} = 0\text{ V}$			10	μA
Gate-Source Leakage Current	I_{GSS}	$V_{GS} = 20\text{ V}, V_{DS} = 0\text{ V}$			100	nA
		$V_{GS} = -20\text{ V}, V_{DS} = 0\text{ V}$			-100	nA
Breakdown Voltage Temperature Coefficient	$\Delta BV_{DSS}/\Delta T_J$	$I_D = 250\ \mu\text{A}$, Referenced to 25°C		0.07		V/°C
ON CHARACTERISTICS						
Gate Threshold Voltage	$V_{GS(TH)}$	$V_{DS} = V_{GS}, I_D = 250\ \mu\text{A}$	2.0		4.0	V
Static Drain-Source On-State Resistance	$R_{DS(ON)}$	$V_{GS} = 10\text{ V}, I_D = 25\text{ A}$		18	23	m Ω
DYNAMIC CHARACTERISTICS						
Input Capacitance	C_{ISS}	$V_{GS} = 0\text{ V}, V_{DS} = 25\text{ V}$ $f = 1\text{ MHz}$		900	1220	pF
Output Capacitance	C_{OSS}			430	550	pF
Reverse Transfer Capacitance	C_{RSS}			80	100	pF

■ ELECTRICAL CHARACTERISTICS(Cont.)

SWITCHING CHARACTERISTICS						
Turn-On Delay Time	$t_{D(ON)}$	$V_{DD} = 30\text{ V}, I_D = 25\text{ A},$ $R_G = 50\ \Omega$ (Note 1, 2)		40	60	ns
Turn-On Rise Time	t_R			100	200	ns
Turn-Off Delay Time	$t_{D(OFF)}$			90	180	ns
Turn-Off Fall Time	t_F		80	160	ns	
Total Gate Charge	Q_G	$V_{DS} = 48\text{ V}, V_{GS} = 10\text{ V}$ $I_D = 50\text{ A}$ (Note 1, 2)		30	40	nC
Gate-Source Charge	Q_{GS}			9.6		nC
Gate-Drain Charge	Q_{GD}			10		nC
DRAIN-SOURCE DIODE CHARACTERISTICS AND MAXIMUM RATINGS						
Drain-Source Diode Forward Voltage	V_{SD}	$I_S = 50\text{ A}, V_{GS} = 0\text{ V}$			1.5	V
Maximum Continuous Drain-Source Diode Forward Current	I_S				50	A
Maximum Pulsed Drain-Source Diode Forward Current	I_{SM}				200	A
Reverse Recovery Time	t_{RR}	$I_S = 50\text{ A}, V_{GS} = 0\text{ V}$		54		ns
Reverse Recovery Charge	Q_{RR}	$di_F / dt = 100\text{ A}/\mu\text{s}$		81		μC

Notes: 1. Pulse Test: Pulse Width $\leq 300\ \mu\text{s}$, Duty Cycle $\leq 2\%$
2. Essentially independent of operating temperature

■ TEST CIRCUITS AND WAVEFORMS

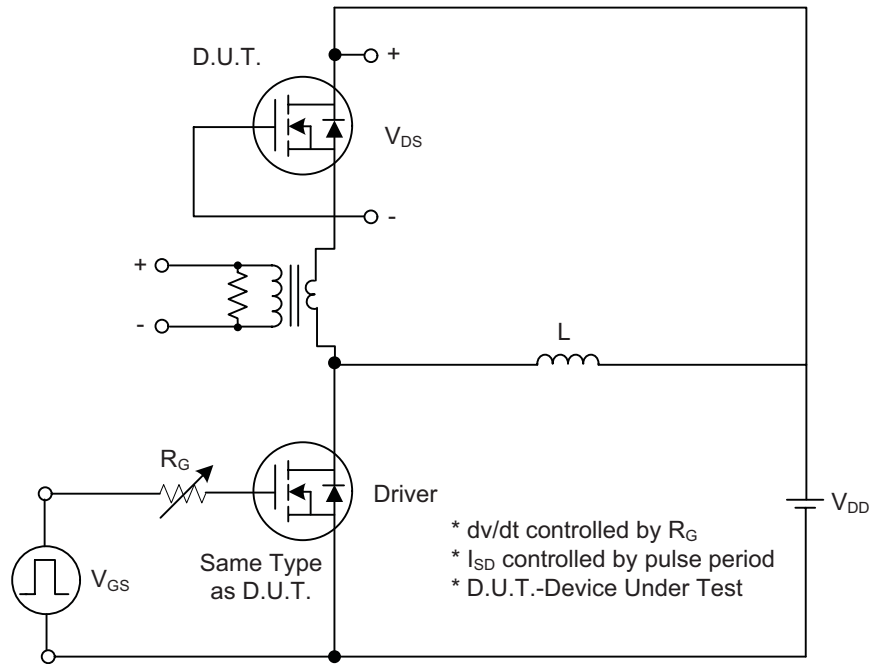


Fig. 1A Peak Diode Recovery dv/dt Test Circuit

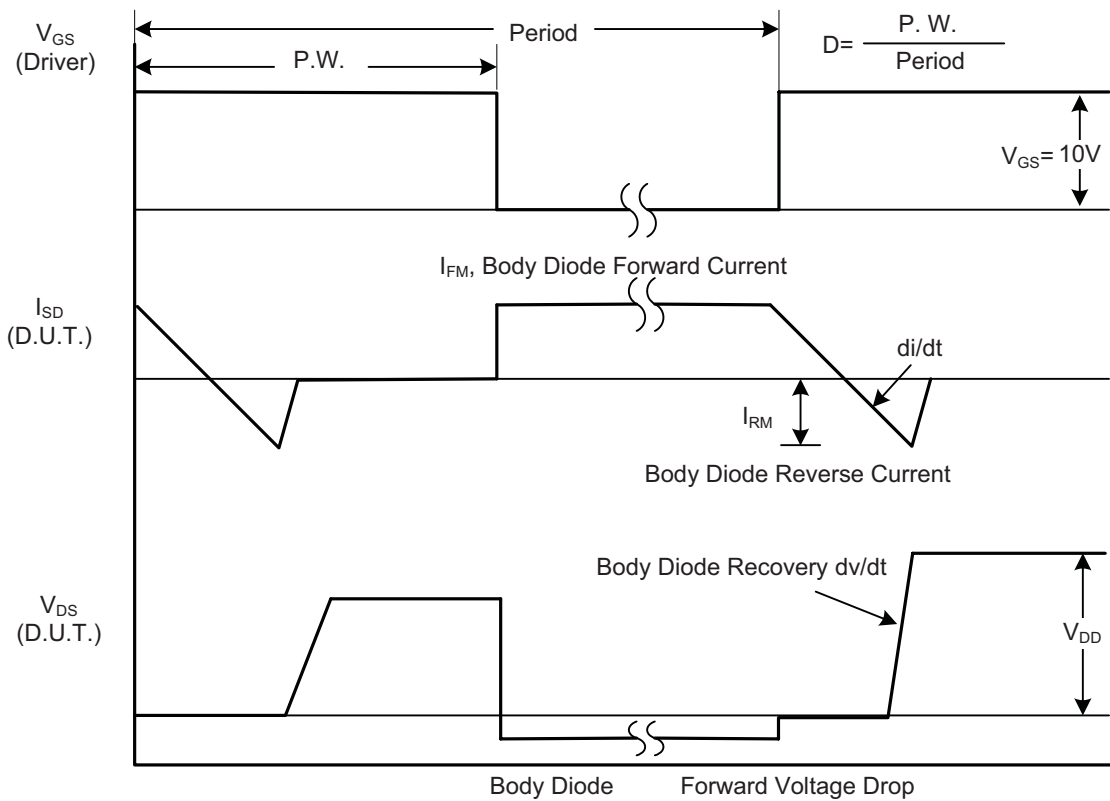


Fig. 1B Peak Diode Recovery dv/dt Waveforms

■ TEST CIRCUITS AND WAVEFORMS (Cont.)

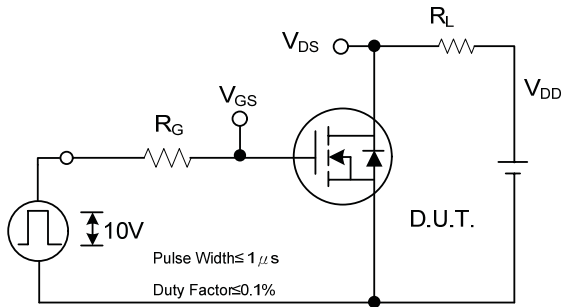


Fig. 2A Switching Test Circuit

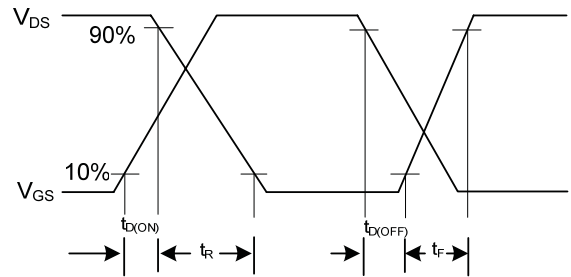


Fig. 2B Switching Waveforms

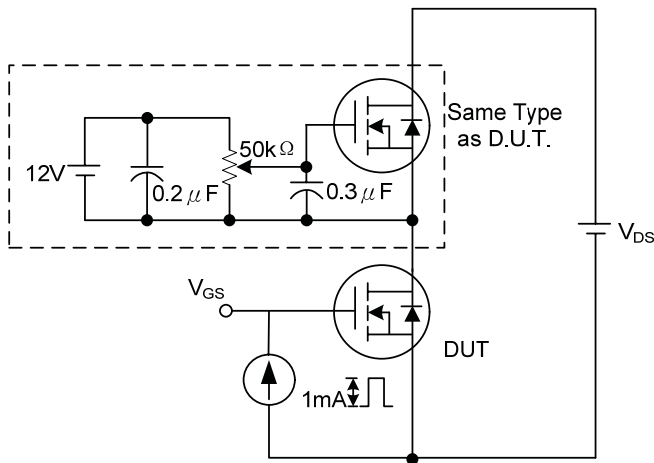


Fig. 3A Gate Charge Test Circuit

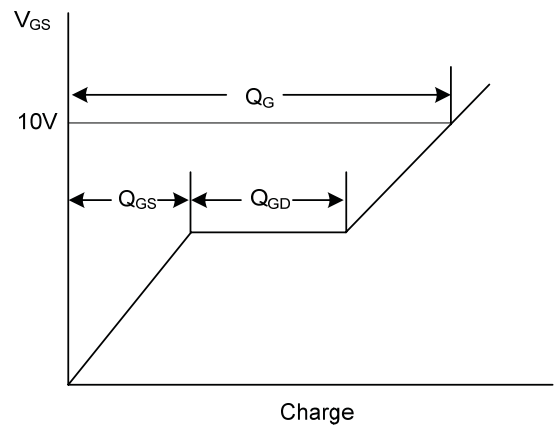


Fig. 3B Gate Charge Waveform

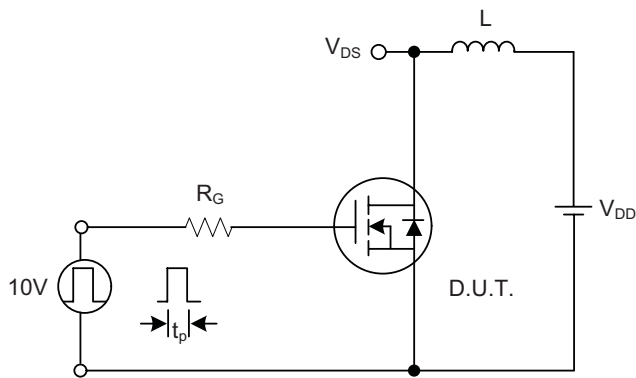


Fig. 4A Unclamped Inductive Switching Test Circuit

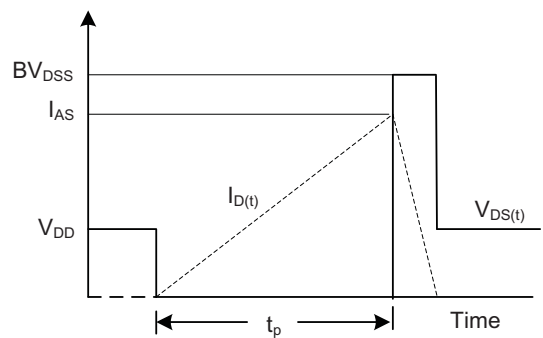
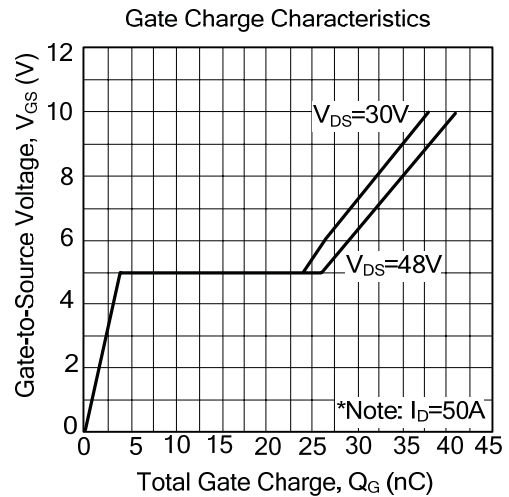
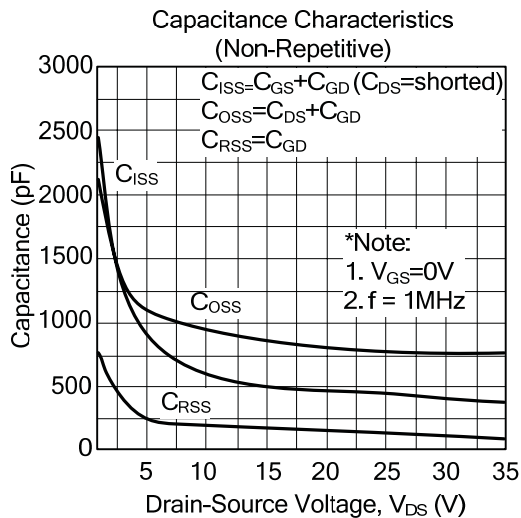
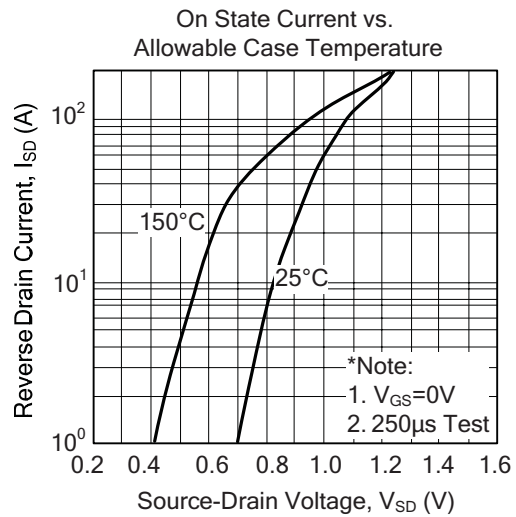
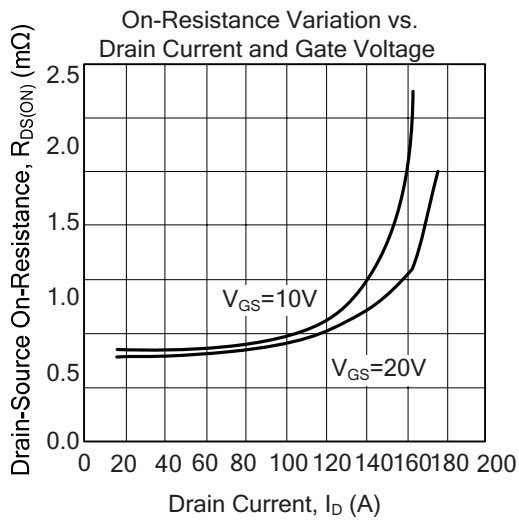
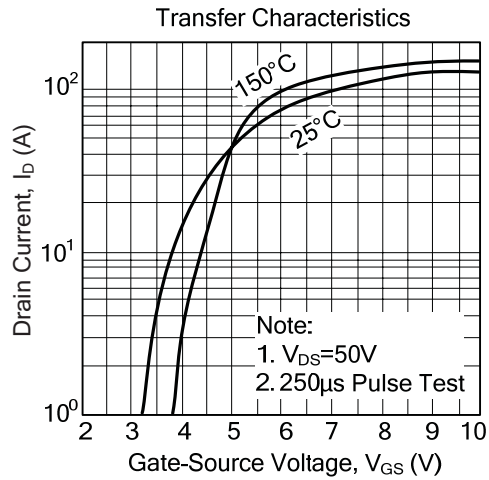
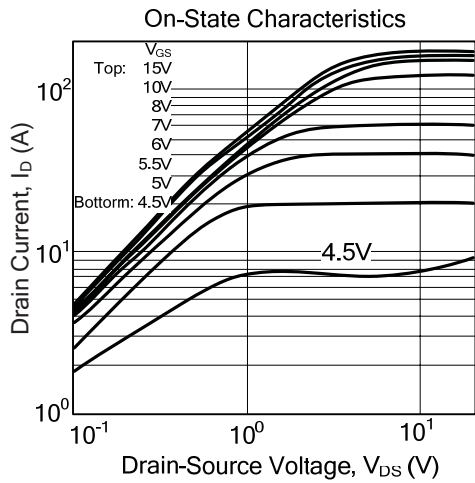


Fig. 4B Unclamped Inductive Switching Waveforms

TYPICAL CHARACTERISTICS



■ TYPICAL CHARACTERISTICS(Cont.)

